

Installation, Operation and Maintenance Instructions



618 CARTRIDGE FILTER HOUSING

ERIEZ WORLD HEADQUARTERS: 2200 ASBURY ROAD, ERIE, PA 16506-1402 U.S.A.
WORLD AUTHORITY IN SEPARATION TECHNOLOGIES

Introduction

This manual describes Eriez' Cartridge Filter Housing.

A careful reading of these Installation, Operation and Maintenance Instructions will assure the most efficient and dependable performance of this equipment.

Please include the model and serial number found on the nameplate with any correspondence concerning your 618 Cartridge Filter Housing.

If there are any questions or comments about the manual, please call the factory at 814-835-6000 for 618 Cartridge Filter Housing assistance.



ATTENTION

Read the Warning/Safety Information below before proceeding.

Warning/Safety Information

1. The housings in this catalog, if improperly used, can cause serious injury or death.
 2. Always wear proper protective clothing for the liquid being filtered. Check your M.S.D.S. for any instructions or suggestions.
 3. Do not run housing in excess of the rated pressure or temperature found on the housing tank label (See warning #1).
 4. Check chemical compatibility of selected o-ring and housing material before housing installation.
 5. Do not open a housing when the system is under pressure; always relieve all pressure through housing before opening of housing lid.
 6. STOP ALL FLOW OF LIQUID *BEFORE OPENING OF LID*.
 7. Bolt housing to floor, as tipping may occur when lid is opened.
-



CAUTION

Safety labels must be affixed to this product. Should the safety label(s) be damaged, dislodged or removed, contact Eriez for replacement.

Operation

A. ELEMENT INSTALLATION INSTRUCTIONS

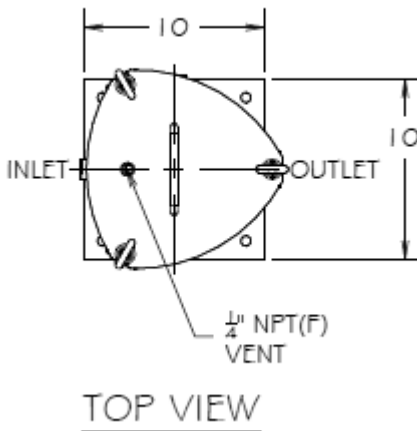
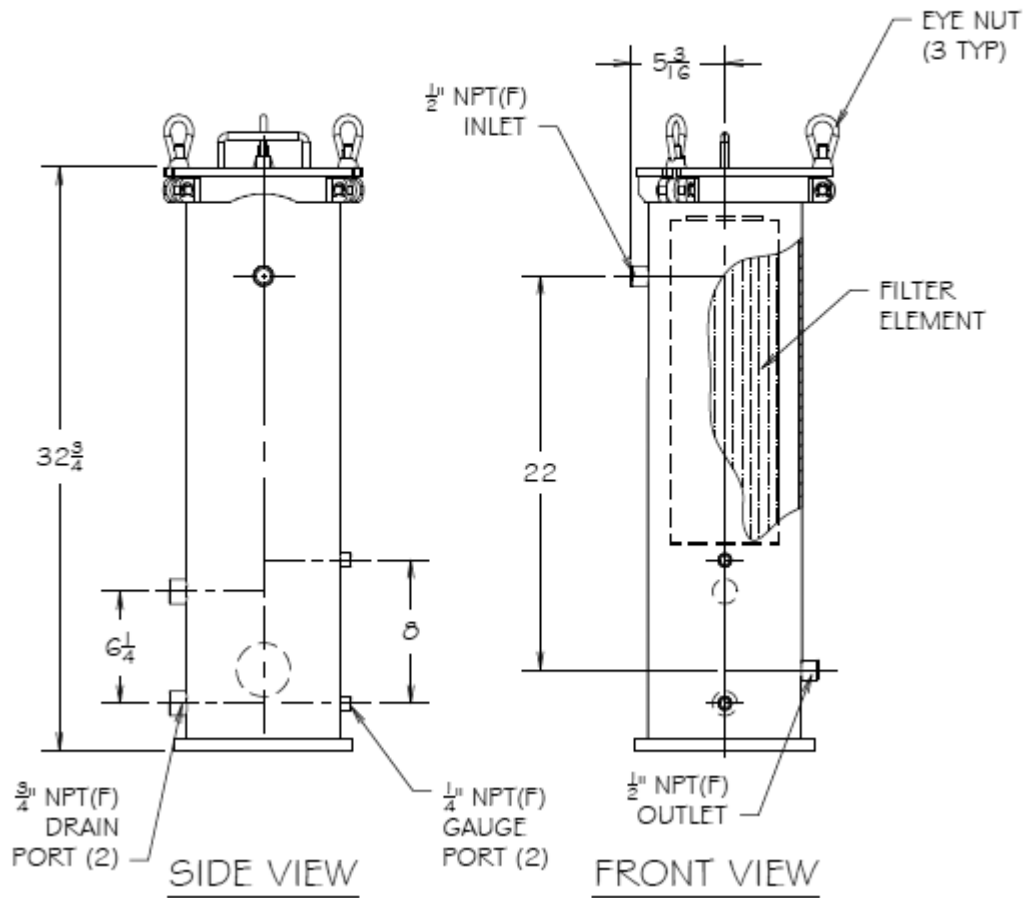
1. Remove lid from housing by turning eye nuts
NOTE: eye nuts do not need to be fully removed from housing.
2. Check inner housing and pipe connections for foreign material and discard any items that have entered during shipping or unpacking.
3. Place housing and connect pipe connections.
4. Tighten housing with proper tension to seal housing on existing pipe or flange.
5. Place required element into housing and hand tighten top seal plate nut.
6. Close lid and tighten eye nuts until lid is fully seated to o-ring.
7. Loosen vent plug to allow air to escape from housing when liquid pressure begins to flow into housing.
8. Housing is now ready for operation.

B. REMOVAL OF SPENT ELEMENT

1. When element reaches your pre-determined differential pressure; 25-35 PSI (1.6-2.4bar). Stop flow to the housing and relieve housing pressure through housing drain or vent.
2. Loosen eye nuts on housing and tilt lid back on hinged bolt.
3. Remove element and discard the element in accordance with any required local and federal laws.
4. Replace element into housing as noted in A-5 above.

Optional Replacement Parts

PART NUMBER		DESCRIPTION
744B		Buna lid O-Ring
4RE		Rod End
4EN		Eye Nut
4CPA		Clevis Bolt Assembly
L8LLC		Carbon Steel Lid Cover
L8LC4		Stainless Steel Lid Cover
REPLACEMENT ELEMENTS		
ERIEZ Part Number/ Manufacturers Part ID		Element Description/ Micron Rating
70-1370	718-5	Particulate Removal, 18", 5-Micron
460377	718-10	Particulate Removal, 18", 10-Micron
70-1380	718-20	Particulate Removal, 18", 20-Micron
NONE	718-30	Particulate Removal, 18", 30-Micron



World Authority in Separation Technologies

Headquarters: 2200 Asbury Road, Erie, PA 16506-1402 U.S.A.

Telephone: 814-835-6000 • Fax: 814-838-4960

Web Site: <http://www.eriez.com> e-mail: eriez@eriez.com

Manufacturing Facilities: AUSTRALIA • BRAZIL • CANADA • CHINA • INDIA • JAPAN • MEXICO • SOUTH AFRICA • UNITED KINGDOM • UNITED STATES